

MV-IDH7000P

1 MP Handheld Code Reader



Introduction

IDH7000P series wired handheld code reader adopts code reading algorithm to provide good decoding capability for DPM. It can read different types of one-dimensional and two-dimensional codes, and output codes rapidly.

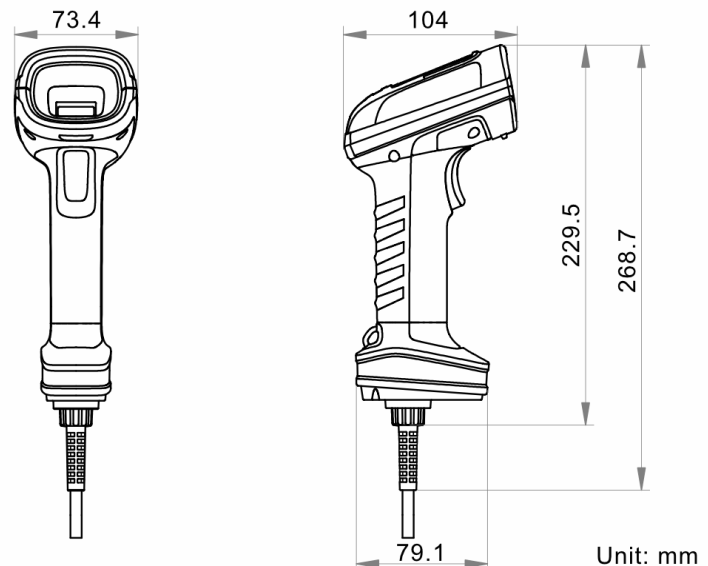
Key Feature

- Adopts code reading algorithm to provide good decoding capability.
- Provides good robustness to read codes with spots, defects and low contrast ratio.
- Supports continuous code reading, batch code reading for improving code reading efficiency.
- Supports multiple communication protocols, including TCP, Serial, FTP, Profinet, etc.
- Adopts illumination system to provide direct lighting and diffused reflection lighting.
- Supports IP65 and drop height of 1.8 m.

Available Model

- Fast Ethernet type: MV-IDH7010P-07-SR-L
- USB2.0 type: MV-IDH7010P-07-SR-U

Dimension



Applicable Industry

PCB, new energy, consumer electronics, semiconductor, automobile parts, etc.

Specification

Model	MV-IDH7010P-07-SR-L	MV-IDH7010P-07-SR-U
Performance		
Symbologies	1-dimensional codes: Code 39, Code 93, Code 128, CodaBar, EAN 8, EAN 13, ITF 14, ITF 25, UPCA, UPCE	
	2-dimensional codes: QR Code, Data Matrix	
Min. accuracy	3 mil	
Max. frame rate	50 fps	
Sensor type	CMOS, global shutter	
Pixel size	3 μm \times 3 μm	
Sensor size	1/4"	
Resolution	1280 \times 800	
Depth of field*	Code 39 (5 mil): 30 mm-200 mm, Code 128 (3 mil): 55 mm-110 mm, Code 128 (20 mil): 56 mm-660 mm, Data Matrix (10 mil): 20 mm-220 mm, QR Code (10 mil): 20 mm-220 mm, QR Code (20 mil): 10 mm-450 mm	
Field of view	Horizontal 31°, vertical 20°	
Detection angle	Tilt angle \pm 60°, skew angle \pm 60°, rotation angle 360°	
Symbol contrast	20%	
Communication protocol	SmartSDK, TCP, FTP, HTTP, MELSEC/SLMP, Profinet, Ethernet/IP, ModBus, UDP, Fins, Serial	SmartSDK, USB-HID, USB-CDC
Electrical feature		
Data interface	Fast Ethernet, RS-232, DC terminal	USB2.0, DC terminal
Power supply	12 VDC to 24 VDC	USB2.0: 5 VDC DC terminal: 12 VDC to 24 VDC
Max. power consumption	6 W@24 VDC	USB2.0: 4.6 W@5 VDC DC terminal: 6 W@24 VDC
Mechanical		
Focal length	6.7 mm	
Lens mount	M5.8-mount	
Ambient illumination	0 lux to 100000 lux	
Light source	Direct: white LED; diffused reflection: red LED	
Aiming system	Cross laser aiming	
Dimension	73.4 mm \times 104 mm \times 229.5 mm (2.9" \times 4.1" \times 9.0")	
Weight	Approx. 460 g (1.0 lb.)	
Ingress protection	IP65	
Temperature	Working temperature: -20 °C to 50 °C, storage temperature: -30 °C to 70 °C	
Humidity	20% to 95% RH, non-condensing	
Drop height	1.8 m (70.9")	
General		
Client software	IDMVS	
Certification	CE, FCC	

*Test condition: Environment temperature=25 °C (77 °F), ambient illumination=250 lux filament lamp, Hikrobot's test symbologies are used.