

MV-IDA-PE-M12A17pF-opensU2DB9-ST
17-pin M12 STANDARD USB INTERFACE INTEGRATED

The 17-pin M12 Standard USB Interface Integrated Cable can be used to power the camera, input and output signals, and transmit data.



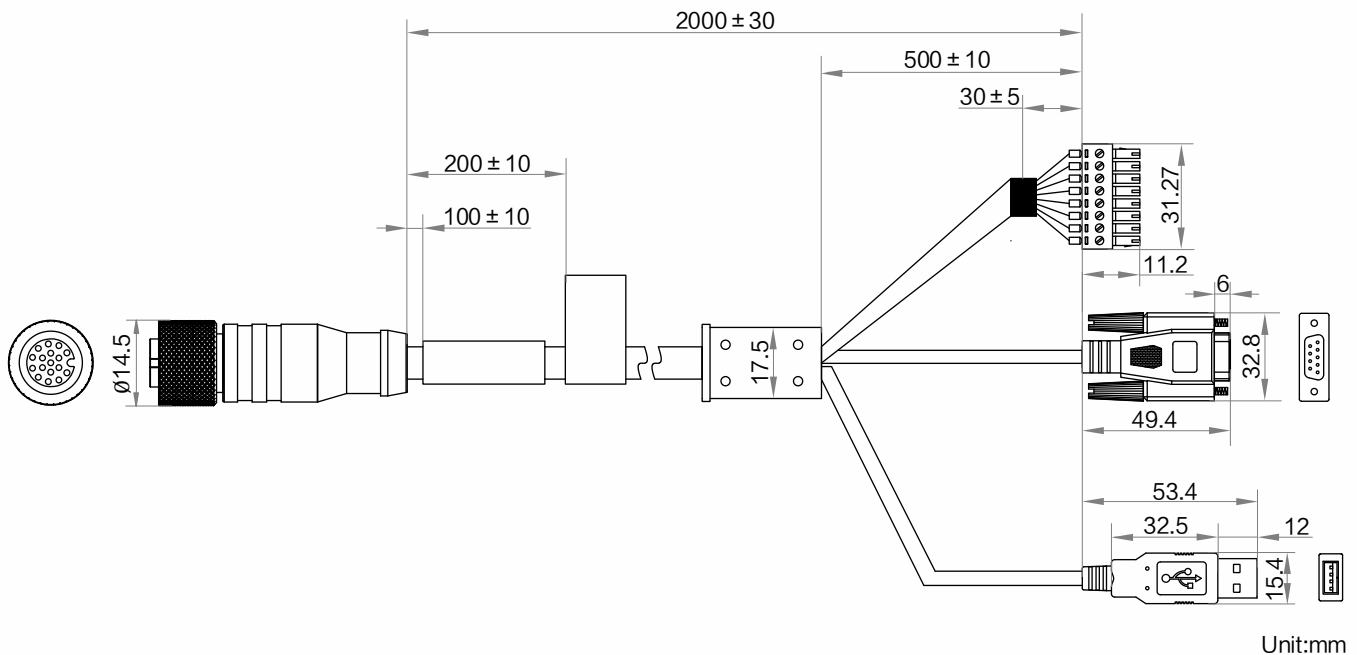
Applicable Camera:

- Hikrobot 17-pin M12 Interface ID2000 Series Smart Code Reader (USB Interface Device)
- Hikrobot 17-pin M12 Interface ID3000 Series Smart Code Reader (USB Interface Device)
- Hikrobot 17-pin M12 Interface SC2000 Series Vision Sensor (USB Interface Device)

Order Models:

2m, 17-pin M12 Standard USB Interface Integrated Cable: MV-IDA-PE-M12A17pF-opensU2DB9-ST-2m

Dimension:



Specification

Model	MV-IDA-PE-M12A17pF-opensU2DB9-ST
Specifications	17-pin M12 Standard USB Interface Integrated Cable
Physical specification	
End A connector	M12 17-pin A-code female
End B connector	USB2.0, DB9F, TB3B8P
Cable diameter	6.5 mm
Length	2 m
Cable mechanical	UL20276 (26AWG*1P+AB)+26AWG*10C+AB
Jacket	PVC
Cable color	Black
Connector durability	>500 cycles
Min. bending radius	52 mm
Applicable scenario	Static scenes
Electrical specification	
Max. voltage	30 VDC
Additional information	
Working temperature	-20°C~80°C
Certification	RoHS, UL
Packaging	Individual package

Read the user manual for the camera including the precautions before connecting the cable to the camera. The user manual also contains further information about pin assignments, power requirements, as well as comprehensive information about installing and using the camera.