

MV-ID7080M-35F-WHA

ID7000 Series Smart Code Reader



Introduction

MV-ID7080M-35F-WHA smart code reader realizes automatic code recognition in all directions based on DWS code reading scenario. Relying on code recognition technology, the smart code reader can output recognition results in a rapid and accurate way.

Key Feature

- Built-in code reading algorithm to read different types of one-dimensional and two-dimensional codes with good robustness.
- Supports image stitching and outputting combined images according to order.
- Adopts image sensor to acquire and provide high-quality images.
- Supports different trigger modes and image acquisition modes.
- Adopts multiple IO interfaces for input/output signals.
- Supports RS-232 serial communication protocol.
- Integrated light source design with 48 LED lamps.

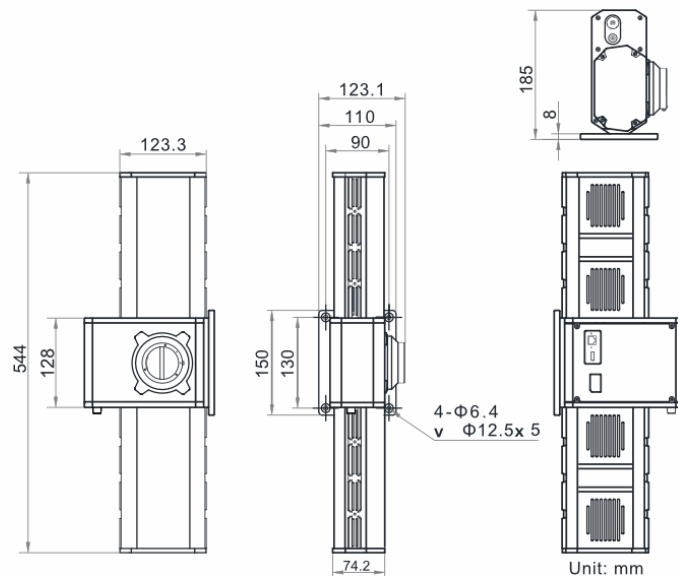
Available Model

MV-ID7080M-35F-WHA

Applicable Industry

Code-reading in logistics industry, factory automation, etc.

Dimension



Specification

Model	MV-ID7080M-35F-WHA
Performance	
Symbologies	1-dimensional codes: Code 39, Code 93, Code 128, CodaBar, EAN 2-dimensional codes: QR Code, Data Matrix
Max. line frequency	15 kHz
Max. operating speed of conveyer belt	2.5 m/sec
Resolution	8K
Focal length	35 mm (1.4")
Best working distance	1000 mm (39.4")
Field of view (range)	1200 mm @10 mil
Mono/color	Mono
Communication protocol	SmartSDK, TCP, UDP, Serial, FTP, HTTP
Electrical feature	
Data interface	Gigabit Ethernet
Digital I/O	12-pin M12 connector provides I/O, including opto-isolated input (LineIn 0/1/2) × 3, opto-isolated output (LineOut 0/1) × 2, and RS-232 × 1.
Power supply	48 VDC
Max. power consumption	190 W@48 VDC
Mechanical	
Lens mount	F-mount, flange back focal length 46.5 mm (1.8")
Dimension	544 mm × 123.1 mm × 185 mm (21.4" × 4.8" × 7.3")
Weight	Approx. 6.5 kg (14.3 lb.)
Temperature	Working temperature: 0 °C to 50 °C (32 °F to 122 °F) Storage temperature: -30 °C to 70 °C (-22 °F to 158 °F)
Humidity	20% to 95% RH, non-condensing
General	
Client software	IDMVS
Operating system	32/64-bit Windows XP/7/10