

MV-ID6200EM-00C-NNG

20 MP 1" CMOS Industrial Code Reader



Introduction

With built-in code reading algorithm, MV-ID6200EM-00C-NNG industrial code reader can read different types of 1-dimensional and 2-dimensional codes with reading speed up to 30 codes/sec. It adopts deep learning algorithm to process images with good robustness, and can recognize various complex codes. It can be cooperated with the light source to have a larger depth of field.

Key Feature

- Built-in deep learning algorithm to read codes with good robustness.
- Adopts CMOS sensor to provide high-quality images with horizontal resolution of 5K and bottom horizontal FOV covering 1-meter conveyor line.
- Supports rapid recognition of multiple codes within large FOV.
- Supports networking of multiple devices.
- Flexible installation and convenient debugging.

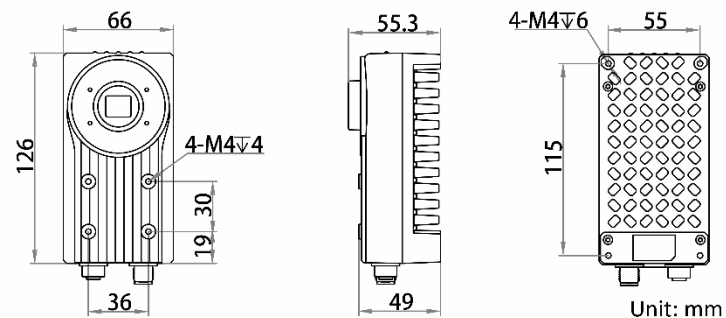
Available Model

MV-ID6200EM-00C-NNG

Applicable Industry

Express delivery and logistics, e-commerce, warehouse, etc.

Dimension



Accessories

- Lens: KF series FA lens
- Light source: MV-LB-270-140-4030WL-A, MV-LB-270-140-4030WL-IR

Specification

Model	MV-ID6200EM-00C-NNG
Performance	
Symbologies	1-dimensional codes: Code 39, Code 128, Code 93, ITF 14, ITF 25, CodaBar, EAN 8, EAN 13, UPCA, UPCE
	2-dimensional codes: QR Code, Data Matrix
Max. frame rate	10 fps
Max. reading speed	30 codes/sec
Sensor type	CMOS, rolling shutter
Pixel size	2.4 μm \times 2.4 μm
Sensor size	1"
Resolution	5440 \times 3648
Exposure time	16 μs to 500 ms
Gain	0 dB to 40 dB
Mono/color	Mono
Communication protocol	SmartSDK, TCP Client, TCP Server, Serial, FTP, UDP
Electrical feature	
Data interface	Gigabit Ethernet
Digital I/O	12-pin M12 connector provides power and I/O, including opto-isolated input (LineIn 3/4/5) \times 3, opto-isolated output (LineOut 3/4/5) \times 3, and RS-232 \times 1.
Power supply	12 VDC to 24 VDC
Max. power consumption	12 W@24 VDC
Mechanical	
Lens mount	C-mount
Lens cap	Not included
Light source	Not included
Dimension	126 mm \times 66 mm \times 55.3 mm (5.0" \times 2.6" \times 2.2")
Weight	Approx. 550 g (1.2 lb.)
Ingress protection	IP64
Temperature	Working temperature: 0 $^{\circ}\text{C}$ to 50 $^{\circ}\text{C}$ (32 $^{\circ}\text{F}$ to 122 $^{\circ}\text{F}$) Storage temperature: -30 $^{\circ}\text{C}$ to 70 $^{\circ}\text{C}$ (-22 $^{\circ}\text{F}$ to 158 $^{\circ}\text{F}$)
Humidity	20% to 95% RH, non-condensing
General	
Client software	IDMVS
Certification	CE, FCC, RoHS