

# MV-ID5200M-00C-NNN

20 MP Smart Code Reader



## Introduction

MV-ID5200M-00C-NNN smart code reader can read different types of codes with reading speed up to 36 codes/sec. It adopts CMOS sensor and deep learning algorithm to process image with good robustness, and can recognize various codes.

## Key Feature

- Adopts CMOS sensor to acquire image data and provide high-quality image.
- Adopts built-in deep learning algorithm to read codes with good robustness.
- Supports code quality evaluation to detect the printing quality of codes.
- Supports multiple communication protocols, including Serial, FTP, Profinet, Fins, etc.
- Supports RS-232 serial port and indicators displaying device status.

## Available Model

MV-ID5200M-00C-NNN

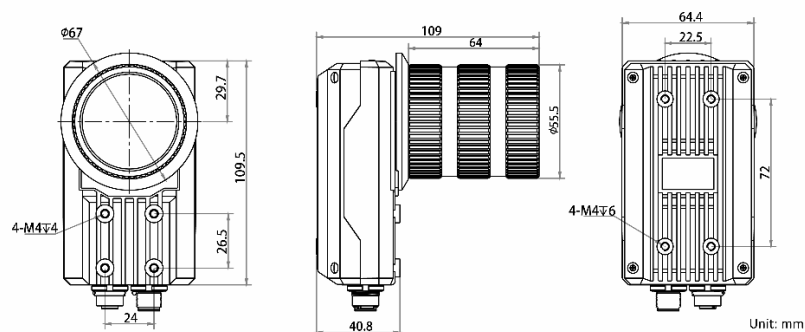
## Applicable Industry

Consumer electronics, food and beverage, pharmaceutical, semiconductor, automobile, new energy, etc.

## Accessories

KF series lens: MVL-KF3528M-12MP

## Dimension



# Specification

<b>Model</b>	<b>MV-ID5200M-00C-NNN</b>
<b>Performance</b>	
<b>Symbologies</b>	1-dimensional codes: Code 39, Code 93, Code 128, CodaBar, EAN 8, EAN 13, UPCA, UPCE, ITF 14, ITF 25, Matrix 25, MSI, China Post, Code 11
	2-dimensional codes: QR Code, Data Matrix
	Stack codes: PDF 417
<b>Max. frame rate</b>	20 fps
<b>Max. reading speed</b>	36 codes/sec
<b>Sensor type</b>	CMOS, rolling shutter
<b>Pixel size</b>	2.4 $\mu\text{m}$ $\times$ 2.4 $\mu\text{m}$
<b>Sensor size</b>	1"
<b>Resolution</b>	5440 $\times$ 3648
<b>Exposure time</b>	16 $\mu\text{s}$ to 500 ms
<b>Gain</b>	0 dB to 40 dB
<b>Mono/color</b>	Mono
<b>Communication protocol</b>	SmartSDK, TCP Client, Serial, FTP, TCP Server, Profinet, Ethernet/IP, MELSEC, Fins, ModBus, SLMP, UDP
<b>Electrical feature</b>	
<b>Data interface</b>	Gigabit Ethernet
<b>Digital I/O</b>	12-pin M12 connector provides power and I/O, including opto-isolated input (LineIn 0/1/2) $\times$ 3, opto-isolated output (LineOut 3/4/5) $\times$ 3, RS-232 input $\times$ 1, and RS-232 output $\times$ 1.
<b>Power supply</b>	12 VDC to 24 VDC
<b>Max. power consumption</b>	12 W@24 VDC
<b>Mechanical</b>	
<b>Lens mount</b>	C-mount
<b>Light source</b>	Not included
<b>Lens cap</b>	Transparent lens cap. Polarization lens cap is optional.
<b>Indicator</b>	Power indicator (PWR), network indicator (LNK/ACT), and user-defined indicator (U1/U2).
<b>Dimension</b>	109.5 mm $\times$ 64.4 mm $\times$ 109 mm (4.3" $\times$ 2.5" $\times$ 4.3")
<b>Weight</b>	Approx. 470 g (1.0 lb.)
<b>Ingress protection</b>	IP67 (under proper installation of waterproof lens cap)
<b>Temperature</b>	Working temperature: 0 $^{\circ}\text{C}$ to 50 $^{\circ}\text{C}$ (32 $^{\circ}\text{F}$ to 122 $^{\circ}\text{F}$ ) Storage temperature: -30 $^{\circ}\text{C}$ to 70 $^{\circ}\text{C}$ (-22 $^{\circ}\text{F}$ to 158 $^{\circ}\text{F}$ )
<b>Humidity</b>	20% to 95% RH, non-condensing
<b>General</b>	
<b>Client software</b>	IDMVS
<b>Certification</b>	CE, FCC, RoHS, KC