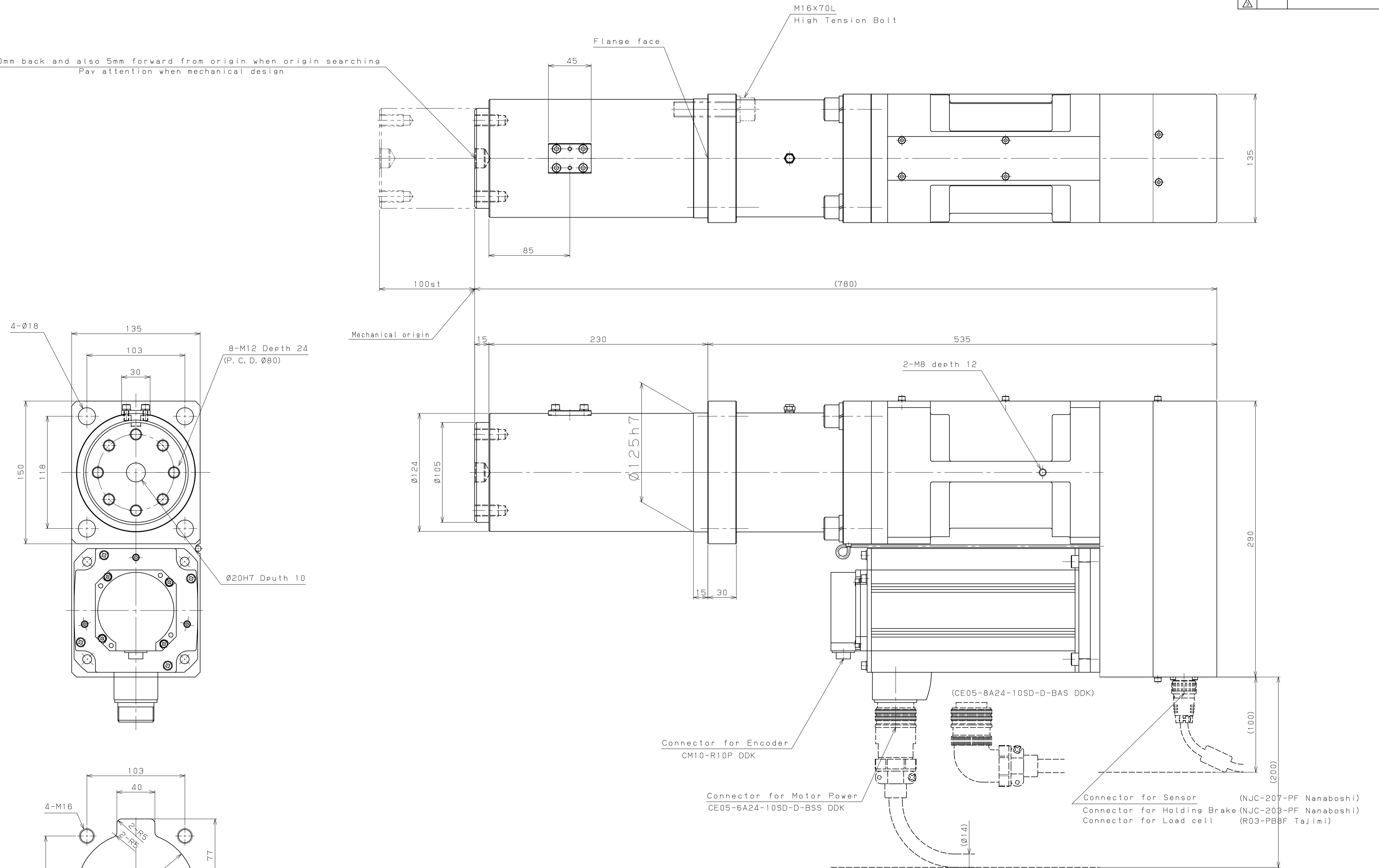


| MARK | DATE | REVISION | CHA |
|------|------|----------|-----|
| △ | | | |
| △ | | | |
| △ | | | |

Around 10mm back and also 5mm forward from origin when origin searching
Pay attention when mechanical design



- Spec.
1. Normal Force 70kN
 2. Max. Force 100kN
 3. Max. Stroke 100mm
 4. Max. Travel Speed 150mm/sec
 5. Max. Press Speed 30mm/sec

Mounting for BS100

| QTY | 備註 | SEMP. TRIM | 納入先 | USER |
|----------|-------|------------|------|----------------|
| | | 表面処理 | | |
| MATERIAL | 材質 | 熱処理 | 名称 | TITLE |
| FINISH | 仕上 | 硬度 | | BS100-100B |
| WEIGHT | 重量 | CASE DEPT | 品名 | SUB TITLE |
| REMARKS | 備考 | | | Dimensions |
| 長 | APPD. | 換圖 | CHK. | 設計 |
| | | | | DES. |
| | | | | 製圖 |
| | | | | DFT. |
| | | | | 尺規 |
| | | | | SCL. |
| | | | | DATE |
| | | | | 09.08.26 |
| | | | | 3RD. ANG. PRO. |
| | | | | 三角法 |
| | | | | DWG. NO. |
| | | | | BS100-100B ENG |