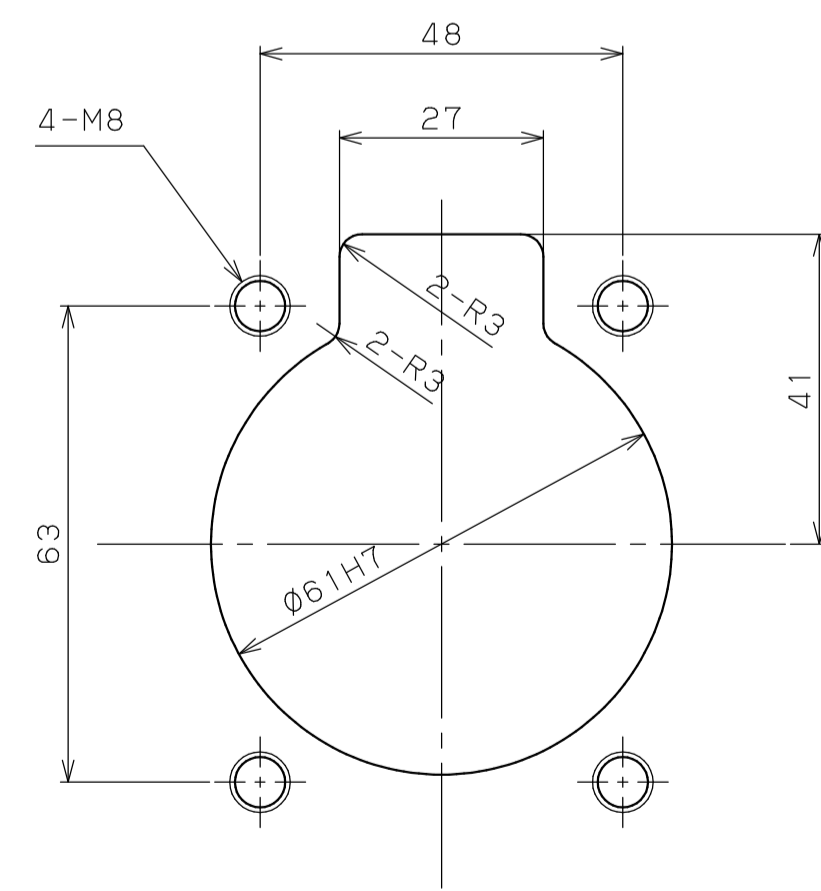
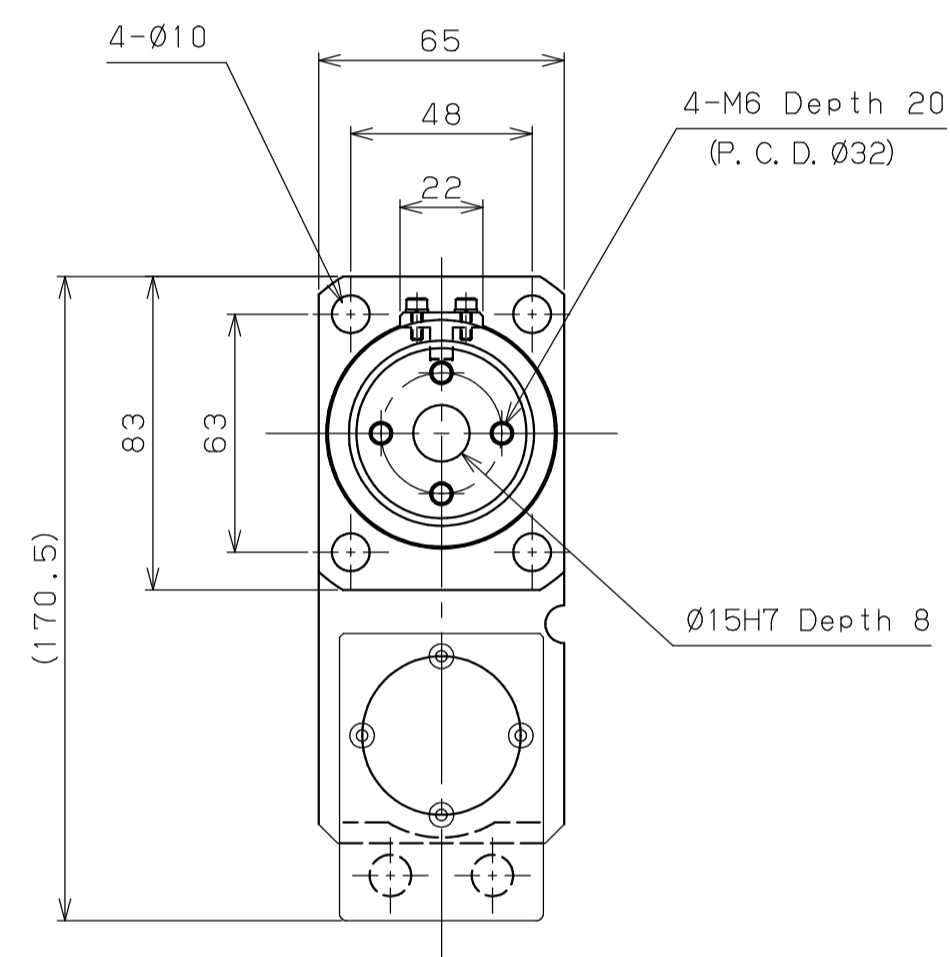
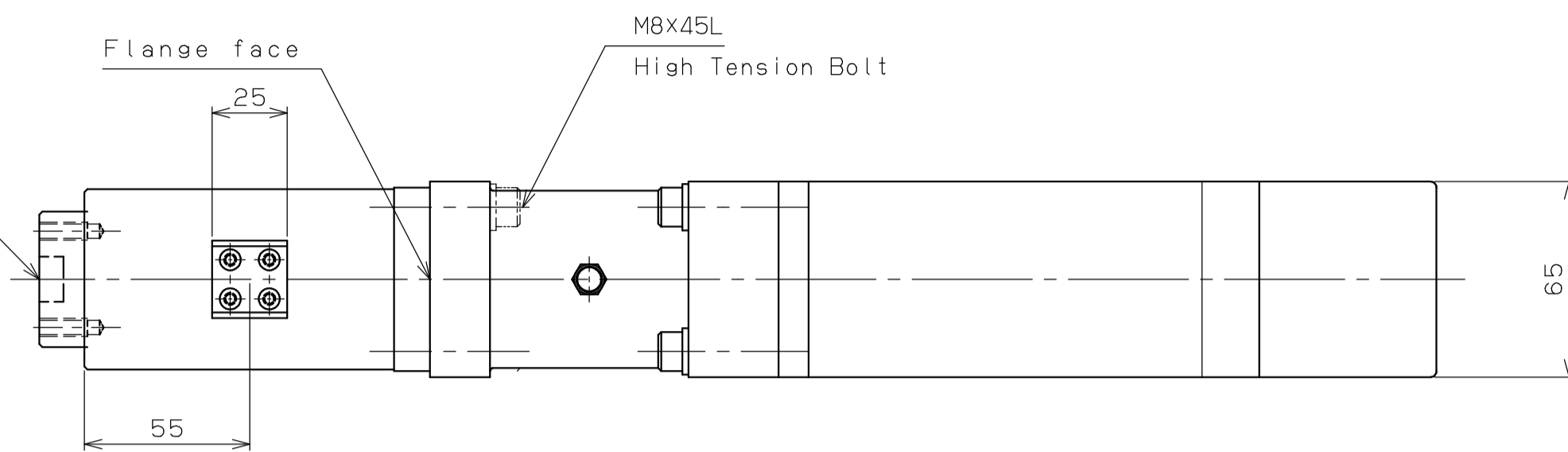


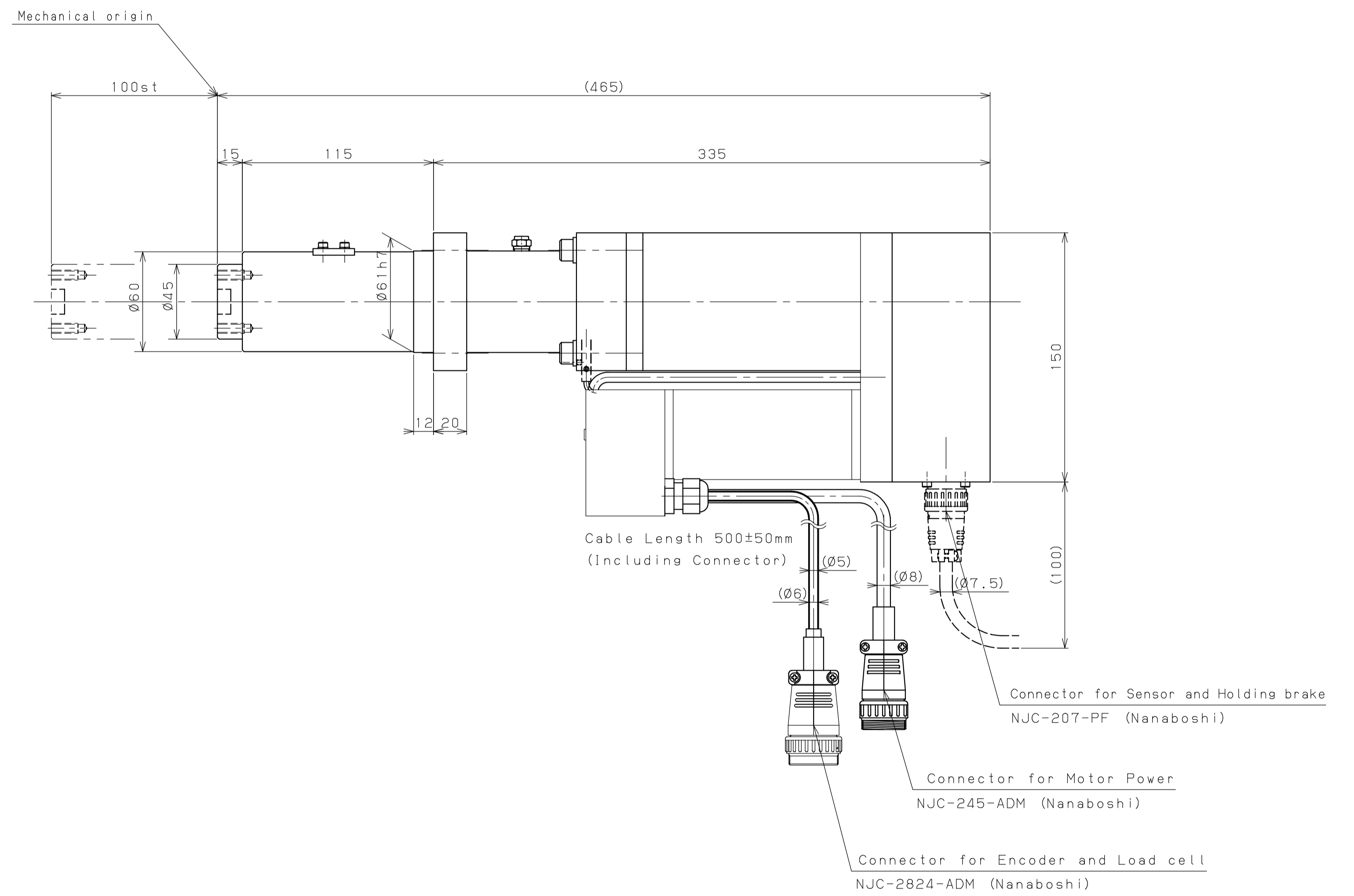
MARK	DATE	REVISION	CHA
△			
△			
△			

Around 10mm back and also 5mm forward from origin when origin searching
Pay attention when mechanical design



Mounting for CS05 (2:1)

- Spec.
- 1. Normal Force 3kN
 - 2. Max. Force 5kN
 - 3. Max. Stroke 100mm
 - 4. Max. Travel Speed 300mm/sec
 - 5. Max. Press Speed 30mm/sec



Q'TY	備註	SPEC. ITEM	納入先	USER
		MATERIAL	名称	TITLE
		FINISH	品名	SUB TITLE
		WEIGHT	CS05-100B	
		REMARKS	Dimensions	
長	APPD.	換圖	CHK.	設計
			DES.	製圖
			DFT.	尺規
			SCL.	日期
				DATE
				09.08.24
				3RD. ANGLE PROJ.
				三角法
				DWG. NO.
				CS05-100B ENG