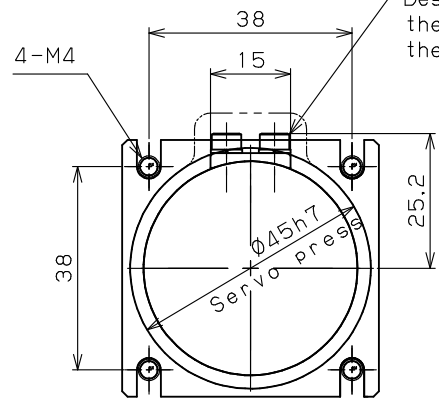
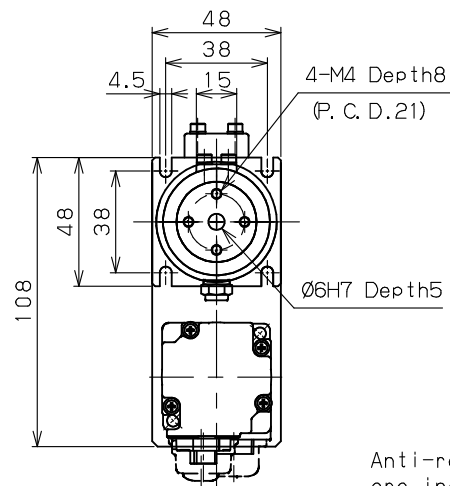


Press rod retracts by approx. 6mm for origin search at cycle start-up.  
 Design end-of-rod attachment not to interfere with tool body during origin search.

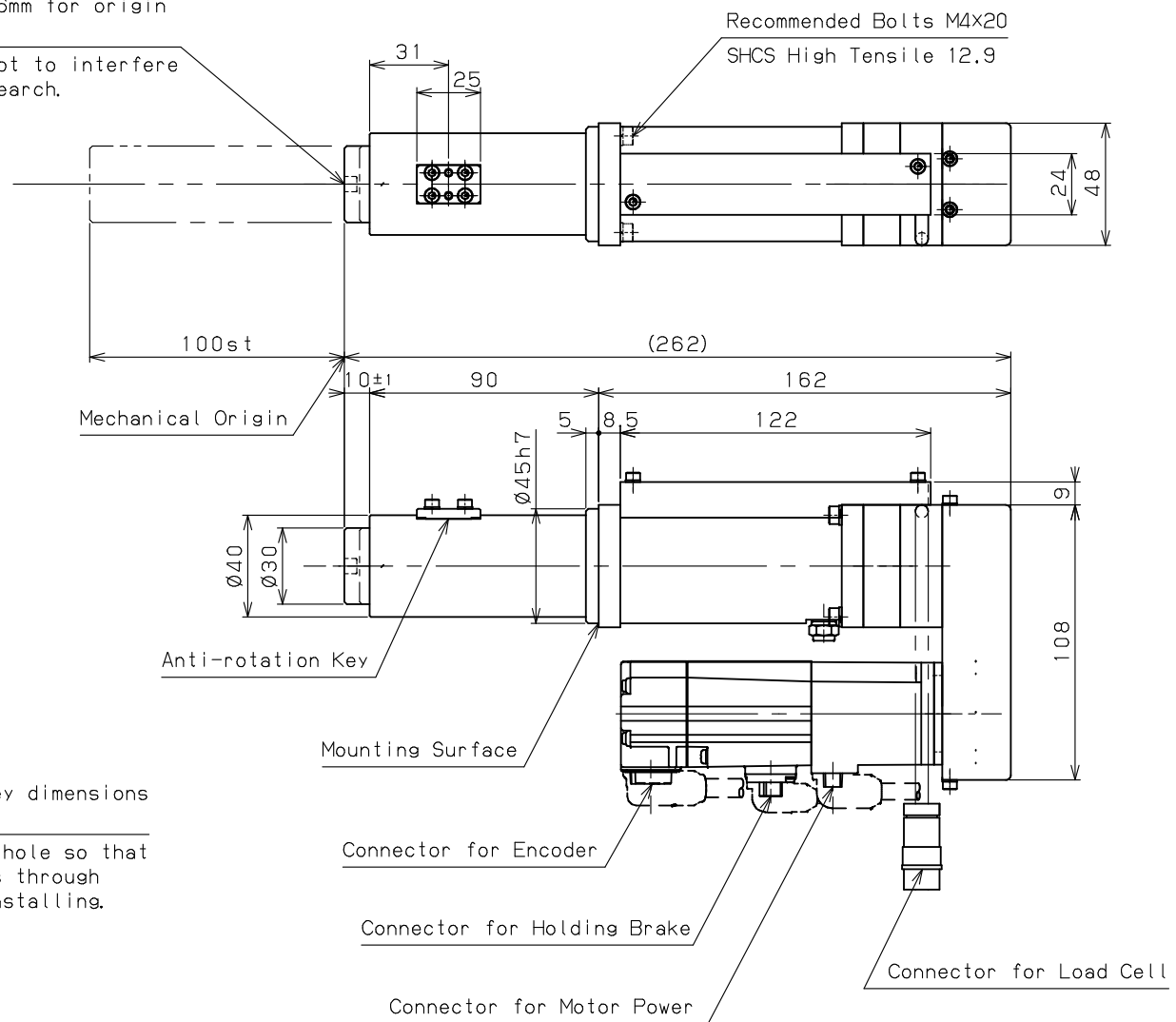


Mounting Dimensions (1:1)

Anti-rotation key dimensions are indicated.

Design mounting hole so that the key can pass through the hole when installing.

- MS02-100B Spec.
- 1. Recommended Force 1.5kN
  - 2. Max. Force 2kN
  - 3. Max. Stroke 100mm
  - 4. Max. Speed 225mm/s
  - 5. Max. Press Speed 30mm/s



Q'TY 個數	SERF, TRIM 表面處理	納入先 USER
MATERIAL 材質	HEAT, TRIM 熱處理	名稱 TITLE
FINISH 仕上	HARDNESS 硬度	AC Servo Press
WEIGHT 重量	CASE DEPT 硬化深寸	品名 SUB TITLE
REMARKS 備考		External View
長 APPD.	檢閱 CHCK.	設計 DESN.
製圖 DFT.	尺度 SCL.	日付 DATE
NT	1:2	16.03.01
		3RD. ANG. PRO. 三角法
		圖番 DWG. NO.
		MS02-100B